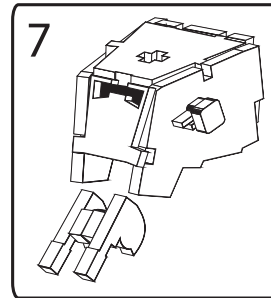
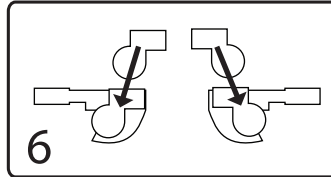
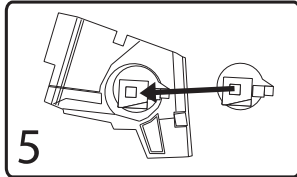
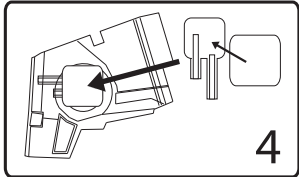
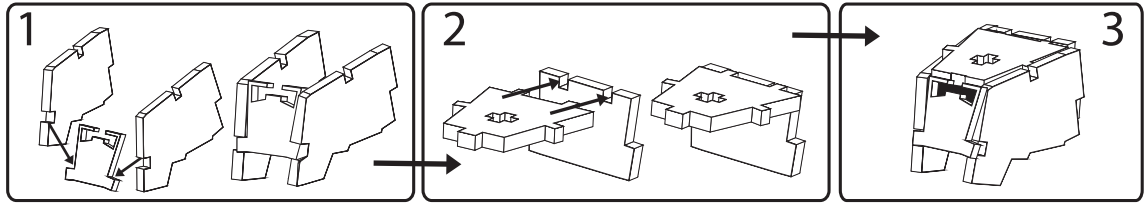
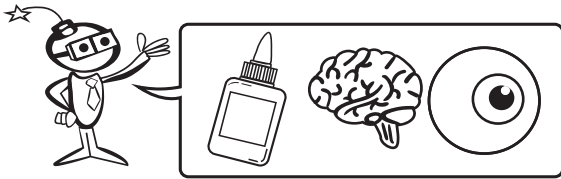
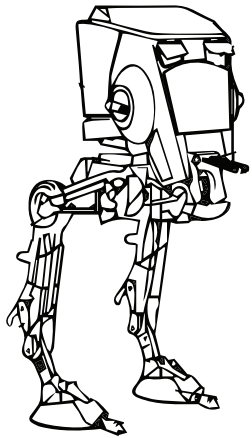
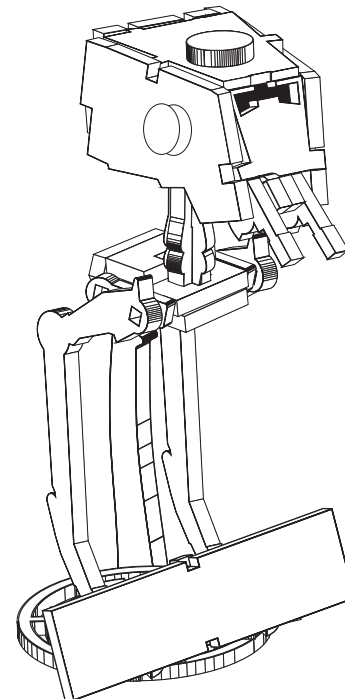
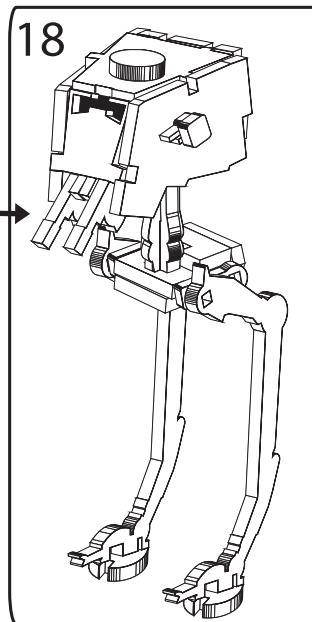
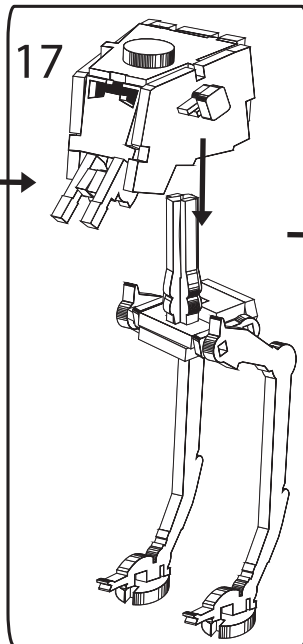
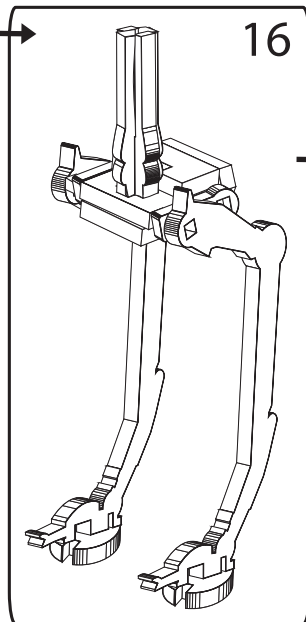
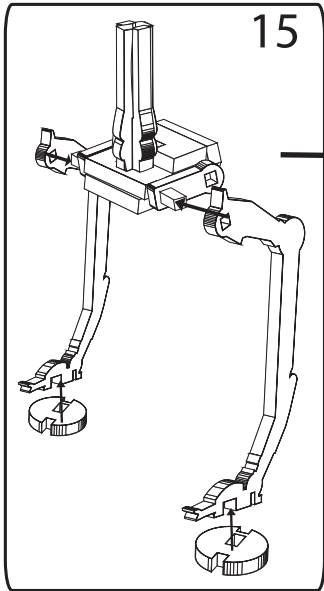
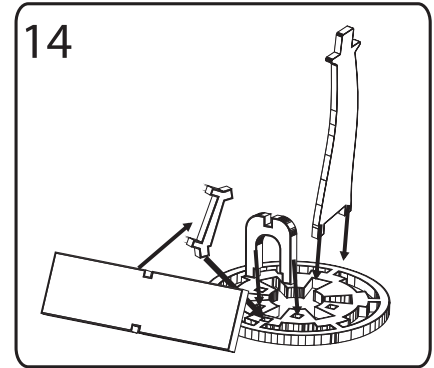
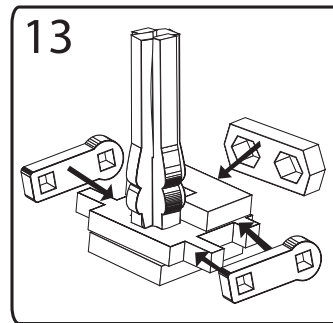
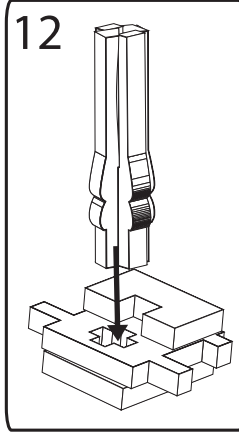
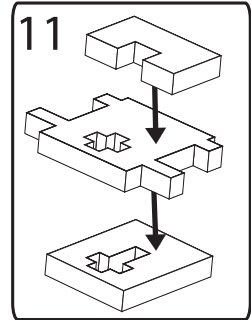
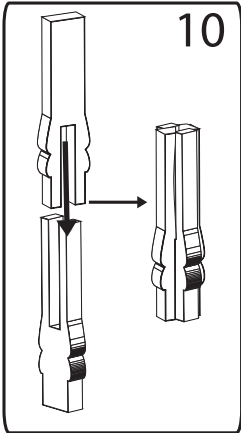
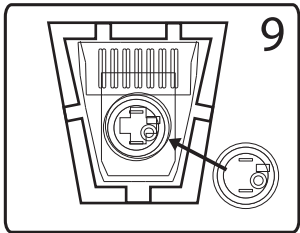
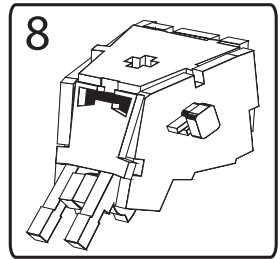


AT-ST WALKER



You'll need to sand the inside edges so that the nose gun can fit. Sand a little on both sides. Sand just a little at a time and check the fit often.



Thank you for your purchase of our wood product! We here at Nitro Geek are a small business that values your business! When assembling this item if you happen to misplace or break a piece, please contact us for a replacement, which we will gladly provide. Follow us on social media for more fantastic items coming soon.

